

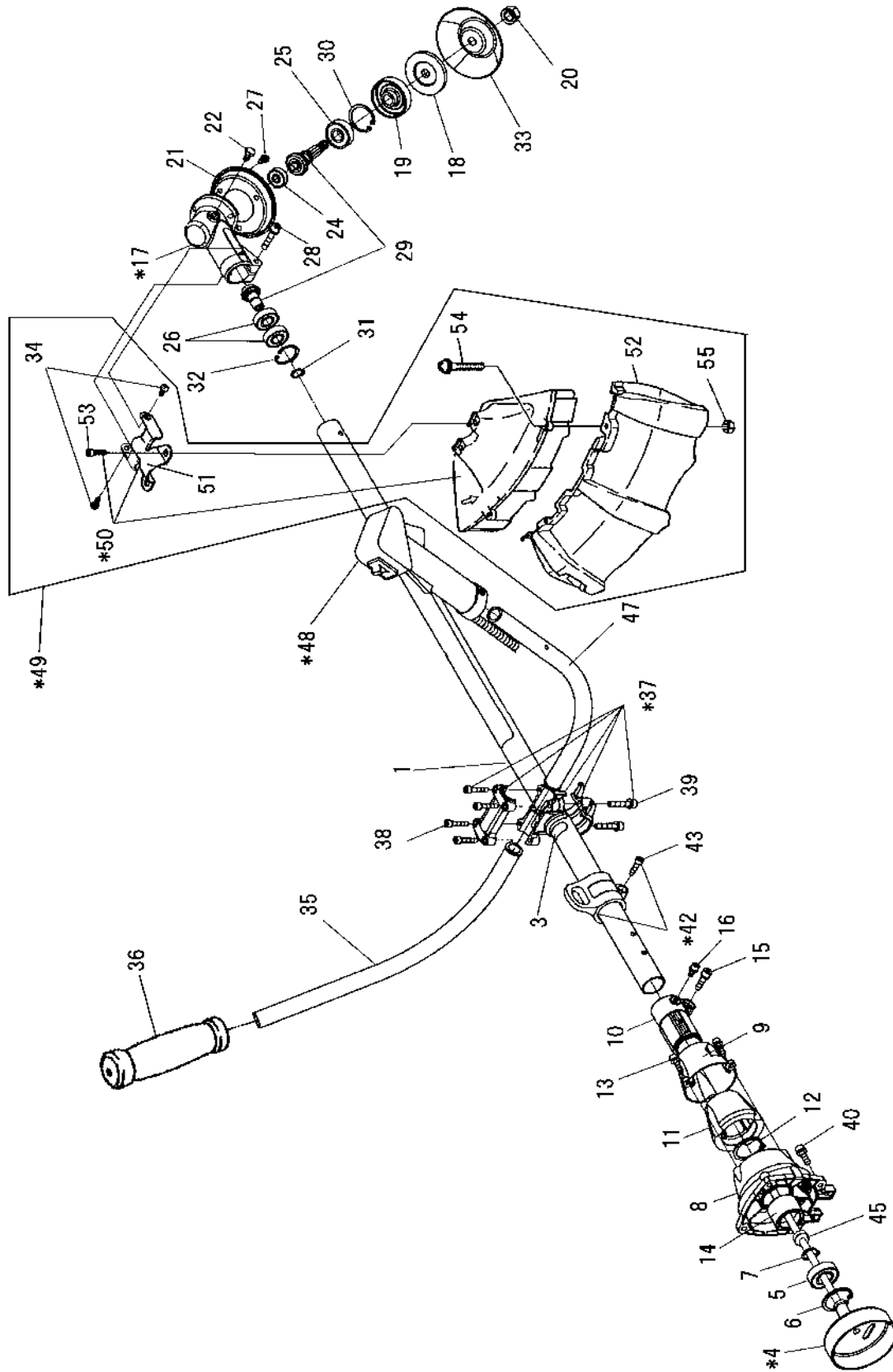


PARTS CATALOG

Model
ELAN 41G
(NB040 CE SPEC.)
WORMS

MACHINE BODY,
CONTROL LEVER ASSY,
ENGINE BODY,
CARBURETOR & AIR CLEANER,
STANDARD ACCESSORY ,

MACHINE BODY



NB040(AU WORMS ELAN41G)

ELAN 41G (NB040) PARTS LIST

CE SPEC.

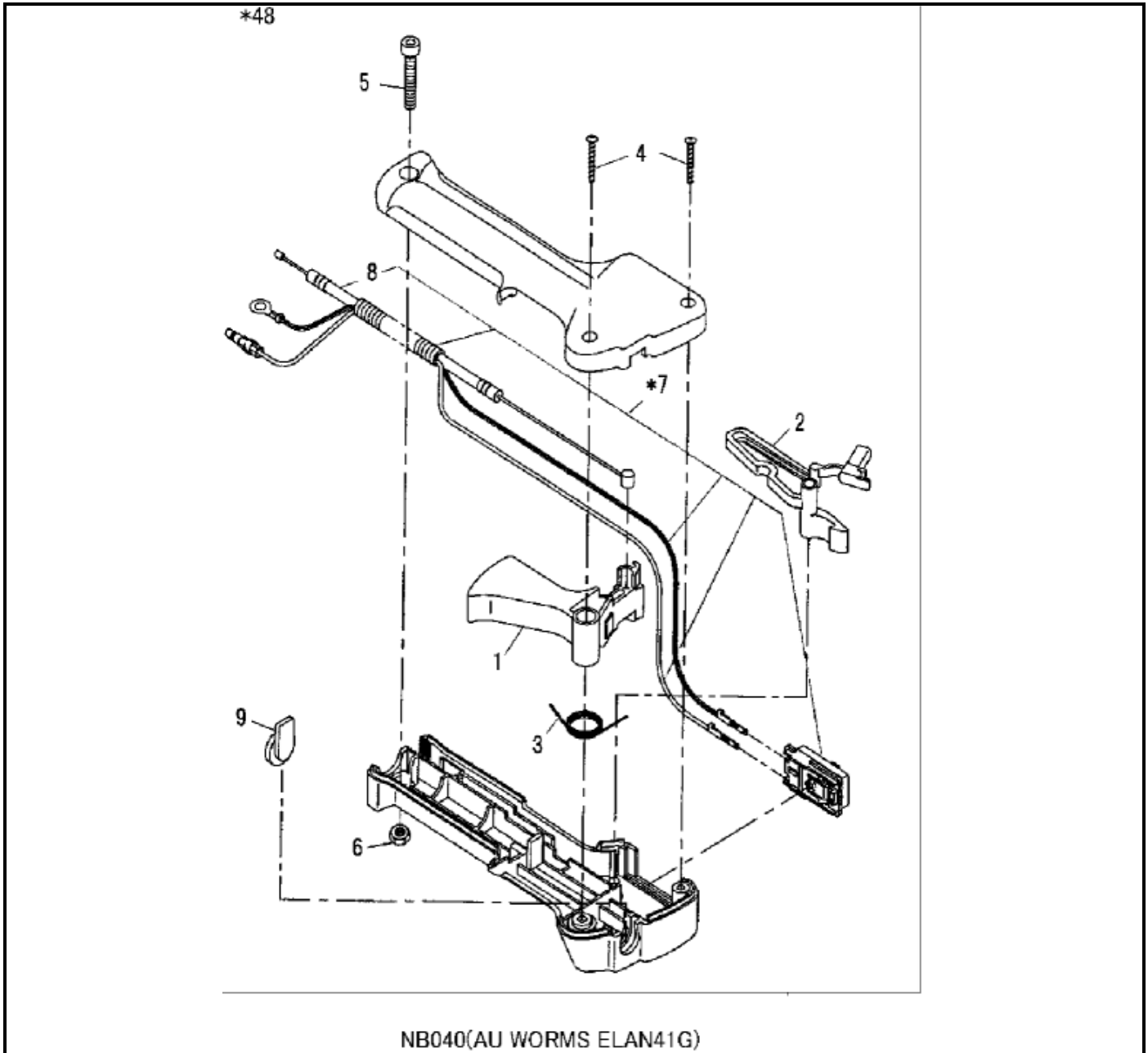
MACHINE BODY

REF No.	PARTS No.	PARTS NAME	Q,TY	REMARKS	
1	6411034000	PIPE,SHAFT COMPL	1		
2	6419094010	LABEL,CAUTION	1		
3	6259514700-1	LABEL,CAUTION	2		
*	4	6411039000	SHAFT ASSY	1	Incl.5~7
5	0600179810	BALL BEARING	1	#6003DDU	
6	0031435000	SNAPRING,INNER	1	φ 35	
7	0031517000	SNAPRING,OUTER	1	φ 17	
8	6341500200-1	CASE,CLUTCH 1	1		
9	6341500300	CASE,CLUTCH 2	1		
10	6341500400	BRACKET,PIPE	1		
11	6341500500	DAMPER,PIPE	1		
12	0031532000	SNAPRING,OUTER	1	φ 32	
13	0119059950	SOCKET HEAD BOLT	3	M5*18 SW	
14	6341500600	SPACER	1		
15	0119069750	SOCKET HEAD BOLT	1	M6*22 SW	
16	0119059460	SOCKET HEAD BOLT	1	M5*8 SW	
*	17	6343004000	CASE,GEAR ASSY	1	Incl.18~32
18	6343004010	WASHER,CLAMP	1		
19	6343004020	WASHER,RECEIVE	1		
20	6343004030	NUT	1	M10	
21	6343004040	GUARD	1		
22	6343004050	BOLT,OIL	1		
24	6343004110	BALL BEARING	1	#629	
25	0600129950	BALL BEARING	1	#6201 DDU	
26	0600109940	BALL BEARING	2	#6000 ZZ	
27	0043505100	SCREW ASSEMBLY	3	M5*10 SW	
28	6343004160	SOCKET HEAD BOLT	1	M6*30 W,SW	
29	6343005000	SHAFT,CUTTER SET	1		
30	0031432000	SNAPRING,INNER	1	φ 32 用	
31	0031510000	SNAPRING,OUTER	1	φ 10 用	
32	0031426000	SNAPRING,INNER	1	φ 26 用	
33	6343500200	CUP	1		
34	0140059480	SCREW ASSEMBLY	2	M5*14 W,SW	
35	6274500801	HANDLE	1		
36	6274501000	GRIP	1		
*	37	6344003001	HOLDER,HANDLE ASSY	1	Incl.38,39
38	0119059890	SOCKET HEAD BOLT	4	M5*25 SW	
39	0119069740	SOCKET HEAD BOLT	2	M6*30 SW	
40	0119069750	SOCKET HEAD BOLT	4	M6*22 SW	
*	42	6347001000-1	HANGER ASSY	1	Incl.43
43	0119059720	SOCKET HEAD BOLT	1	M5*20	
45	6341501100-	FELT	1		
47	6274501101	HANDLE	1		
*	48	6415017000	CONTROL LEVER ASSY	1	
*	49	6348001000-1	PROTECTOR ASSY	1	Incl.50~55
*	50	6348002000-1	PROTECTOR ASSY	1	Incl.51,53
51	6348500000	CLAMP,PROTECTOR	1		
52	6258053001-1	PROTECTOR COMPL	1		
53	0100069790	BOLT	2	M6*30 W,SW	
54	0140059380	SCREW	2	M5*40 W,SW	
55	0021805000	NUT	2	M5	

ELAN 41G (NB040) PARTS LIST

CE SPEC.

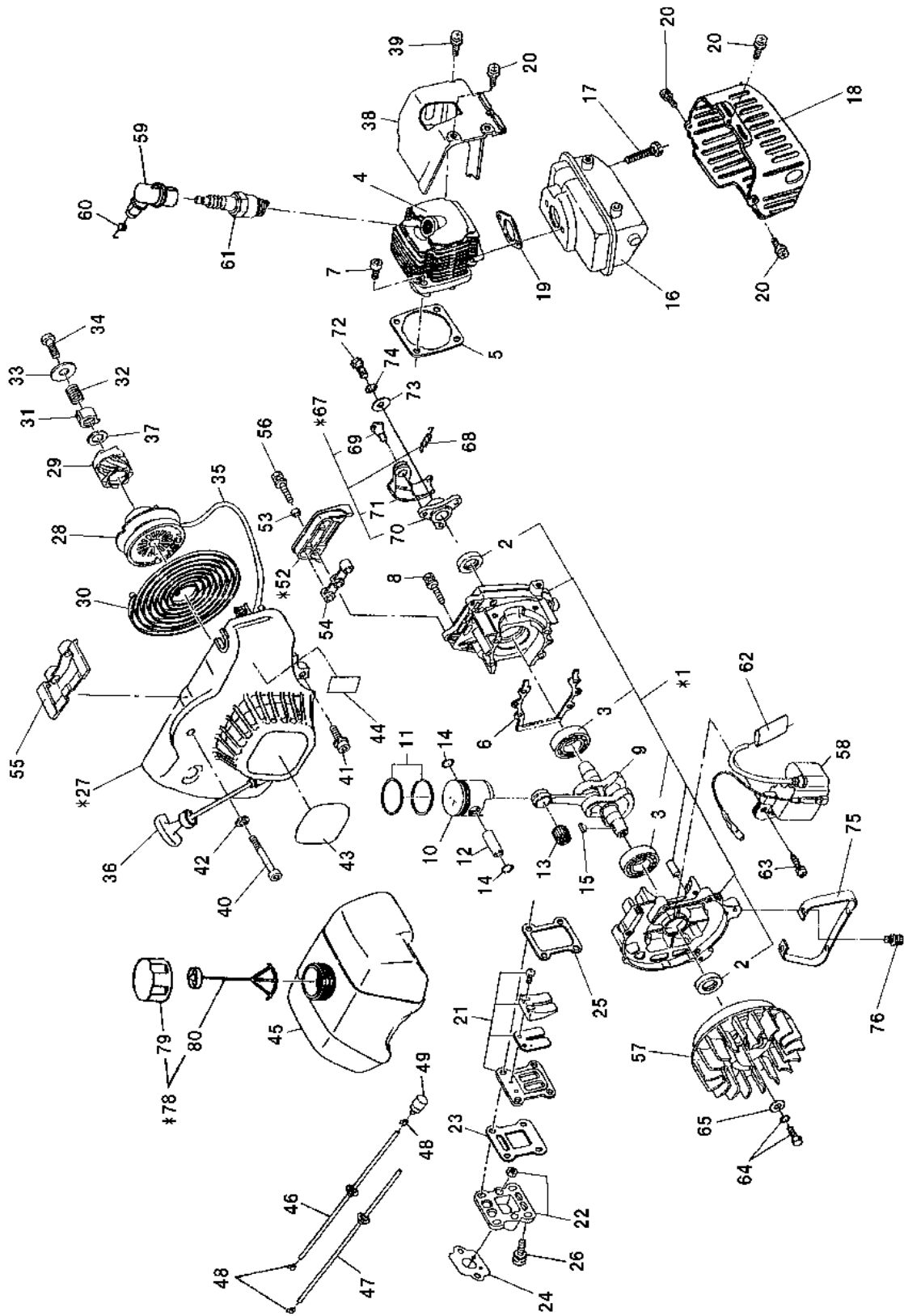
CONTROL LEVER ASSY (AU)



NB040(AU WORMS ELAN41G)

REF No.	PARTS No.	PARTS NAME	Q.TY	REMARKS
* 48	6415017000	CONTROL LEVER ASSY	1	Incl.1~9
1	6215022030	LEVER	1	
2	6195013010	LEVER	1	
3	6195006050	SPRING	1	
4	6195006060	TAPPING SCREW	2	4*20
5	0119059980	SOCKET HEAD BOLT	1	M5*30
6	6215022040	NUT	1	M5
* 7	6415017030	WIRE SET	1	Incl.8
8	6415017040	CONTROL CABLE	1	
9	6195006150	TOP	1	

ENGINE BODY



EC04EA(WORMS ELAN41P)

ELAN 41G (NB040) PARTS LIST

CE SPEC.

ENGINE BODY

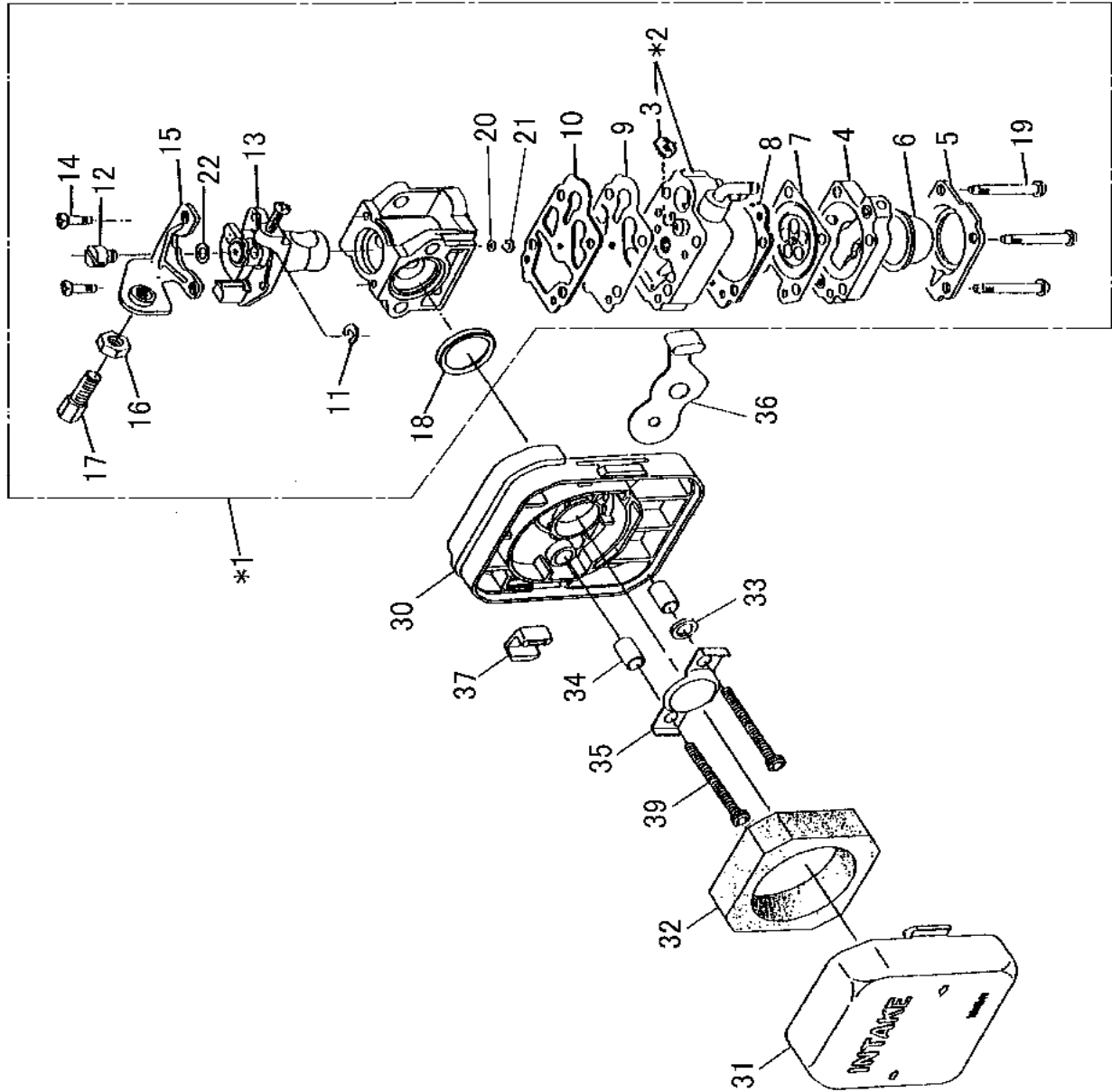
REF No.	PARTS No.	PARTS NAME	Q,TY	REMARKS
* 1	5411005001	CRANKCASE ASSY	1	Incl.2,3,6,8
2	0440159971	OIL SEAL	2	
3	0600159880	BALL BEARING	2	# 6202
4	5411500300-4	CYLINDER	1	
5	5411500501	GASKET,CYLINDER	1	
6	5411501200	GASKET,CRANKCASE	1	
7	0119069990	SOCKET HEAD BOLT	4	M6*18
8	0119059940	SOCKET HEAD BOLT	4	M5*30
9	5412001000-1	CRANKSHAFT COMPL	1	
10	5412505300	PISTON	1	
11	5402500600-1	RING,PISTON	2	
12	5412505200	PIN,PISTON	1	
13	5412501300	NEEDLE ROLLER BEARING	1	
14	0565099990	CLIP	2	
15	0323039990	WOODRUFF KEY	1	
16	5323008000-1	MUFFLER,EXHAUST	1	
17	0119069780	SOCKET HEAD BOLT	2	M6*60,W
18	5413507500	COVER,MUFFLER	1	
19	5323500200	GASKET,MUFFLER	1	
20	0140059480	SCREW ASSY	4	M5*14,W,SW
21	5413006000-1	VALVE,LEAD ASSY	1	
22	5403048001-1	INSULATOR ASSY	1	
23	5403500600-1	GASKET,INSULATOR	1	
24	5416504000	GASKET,CARBURETOR	1	
25	5413502800	GASKET,LEAD VALVE	1	
26	0119059640	SOCKET HEAD BOLT	4	M5*25,W,SW
* 27	5415041002	STARTER,REWIND	1	Incl.28~37
28	5415001010	REEL	1	
29	5415001020	RATCHET	1	
30	5415001030	SPIRAL SPRING	1	
31	5415001040	RATCHET GUIDE	1	
32	5415001050	FRICITION SPRING	1	
33	5415001060	WASHER	1	
34	5245001010	BIND SCREW	1	
35	5415001140	STARTER ROPE	1	
36	5305002110	STARTER KNOB COMPL	1	
37	5415001220	THRUST WASHER	1	
38	5415505501	COVER,CYLINDER	1	
39	0140059560	SCREW	1	M5*20,W,SW
40	0119059660	SOCKET HEAD BOLT	1	M5*50
41	0119059790	SOCKET HEAD BOLT	2	M5*22,W
42	0031005000	WASHER	1	M5
43	5419502200	LABEL,MODEL	1	EC04EA
44	0736309960	LABEL,SOUND LEVEL	1	118dB
45	5416504801	TANK,FUEL	1	
46	0851279970-1	TUBE	1	L=270
47	0851289960	TUBE	1	L=280
48	0561059990	HOSE CLAMP	3	
49	5236503900	FILTER	1	

ELAN 41G (NB040) PARTS LIST

CE SPEC.

REF No.	PARTS No.	PARTS NAME	Q, TY	REMARKS
* 52	5416057000-1	BRACKET,FUEL TANK ASSY	1	Incl.53
53	0230059990	SPACER	2	
54	5416501100-1	DAMPER	1	
55	5416501900	DAMPER	1	
56	0130059980	BOLT ASSEMBLY	2	M5*14W
57	5417023010	FLYWHEEL,MAGNETO	1	
58	5417023020	COIL,IGNITION	1	
59	5417037001	COVER,CAP ASSY	1	
60	0654009931	SPRING,PLUG CAP	1	
61	0650149661	PLUG,SPARK	1	NGK BPMR7A
62	5417500300-1	TUBE	1	
63	0119059790	SOCKET HEAD BOLT	2	M5*22,W
64	0130069970	BOLT ASSEMBLY	1	M6*13,SW
65	0200069920	WASHER	1	M6
* 67	6452002000	CLUTCH	1	Incl.68~71
68	6452500400	SPRING	3	
69	6452500600	BOLT,CLUTCH	3	
70	6452500300	HOLDER	1	
71	6452003000	SHOE,CLUTCH COMPL	3	
72	6202500400	BOLT	1	M6*14
73	6202500600	WASHER	1	M6
74	0032006000	SPRING WASHER	1	M6
75	6305500500	STAND	1	
76	0119069900	SOCKET HEAD BOLT	2	M6*14SW
* 78	5256059000	CAP,FUEL TANK ASSY	1	Incl.79,80
79	5256058000	CAP,FUEL TANK ASSY	1	
80	5256067000	STRAP ASSY	1	

CARBURETOR & AIR CLEANER



EC04EA(WORMS ELAN41G)

ELAN 41G (NB040) PARTS LIST

CE SPEC.

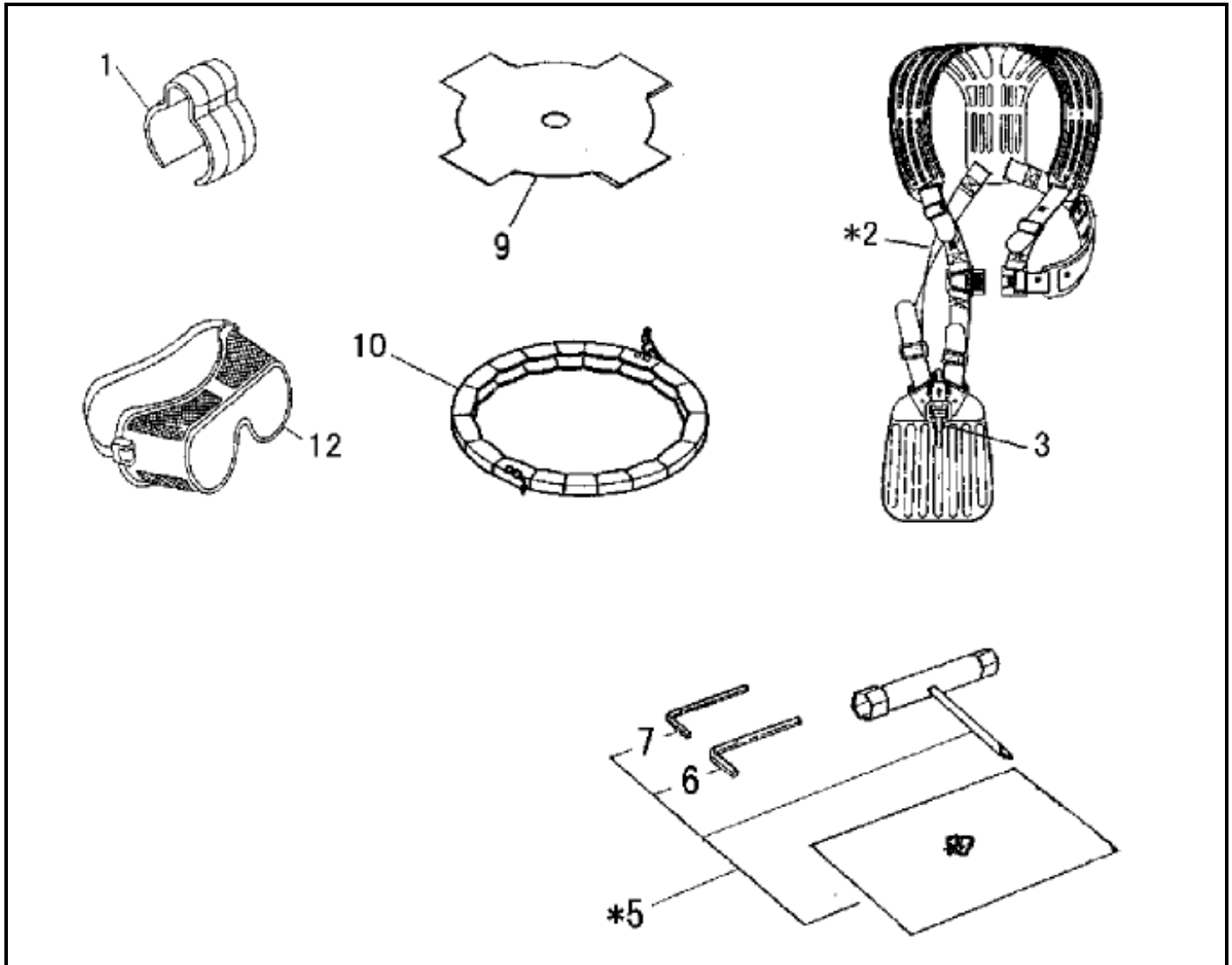
CARBURETOR & AIR CLEANER

REF No.	PARTS No.	PARTS NAME	Q.TY	REMARKS
* 1	5416047000	CARBURETOR	1	Incl.2~22
* 2	5236046130	BODY ASSEMBLY-PUMP	1	Incl.3
3	5016004010	SCREEN-INLET	1	
4	5236046060	BODY ASSEMBLY-AIR PURGE	1	
5	5236046050	COVER-PRIMER PUMP	1	
6	5246001150	PUMP-PRIMER	1	
7	5316005250	DIAPHRAGM ASSEMBLY-METERING	1	
8	5236046040	GASKET-METERING DIAPHRAGM	1	
9	5246001040	DIAPHRAGM-PUMP	1	
10	5246001030	GASKET-PUMP	1	
11	5316005120	RING-SPRING RETAINING	1	
12	5236018040	SWIVEL	1	
13	5416047010	VALVE ASSEMBLY-THROTTLE	1	
14	5246001240	SCREW	2	
15	5236052020	BRACKET-CABLE	1	
16	5316005450	NUT	1	
17	5216008010	SCREW-CABLE ADJ.	1	
18	5236018020	RING-PACKING	1	
19	5236046010	SCREW	4	
20	5246001010	RING-"O"	1	
21	5416046010	JET	1	#50
22	5236052030	WASHER	1	
30	5413044010	HOUSING,AIR CLEANER	1	
31	5233013020	COVER,AIR CLEANER	1	
32	5413044020	FILTER,AIR	1	
33	5313003050	WASHER	1	
34	5233013030	SLEEVE	2	
35	5233013040	PLATE	1	
36	5313003030	VALVE,CHOKE	1	
37	5313003110	CLIP,CLEANER COVER	1	
39	0119059810	SOCKET HEAD BOLT	2	M5*50

ELAN 41G (NB040) PARTS LIST

CE SPEC.

STANDARD ACCESSORY



REF No.	PARTS No.	PARTS NAME	Q.TY	REMARKS
1	6351500700	CLAMP,WIRE	2	
* 2	6417006002	BAND ASSY	1	Incl.3
3	6417014150	HOOK	1	
* 5	6419038001	TOOL	1	Incl.6,7
6	0717059990	WRENCH,SOCKET HEAD	1	M6
7	0717049990	WRENCH,SOCKET HEAD	1	M5
9	6418501400	CUTTER	1	255*4
10	6418500701	COVER,CUTTER	1	
12	6029015000	PROTECTOR	1	